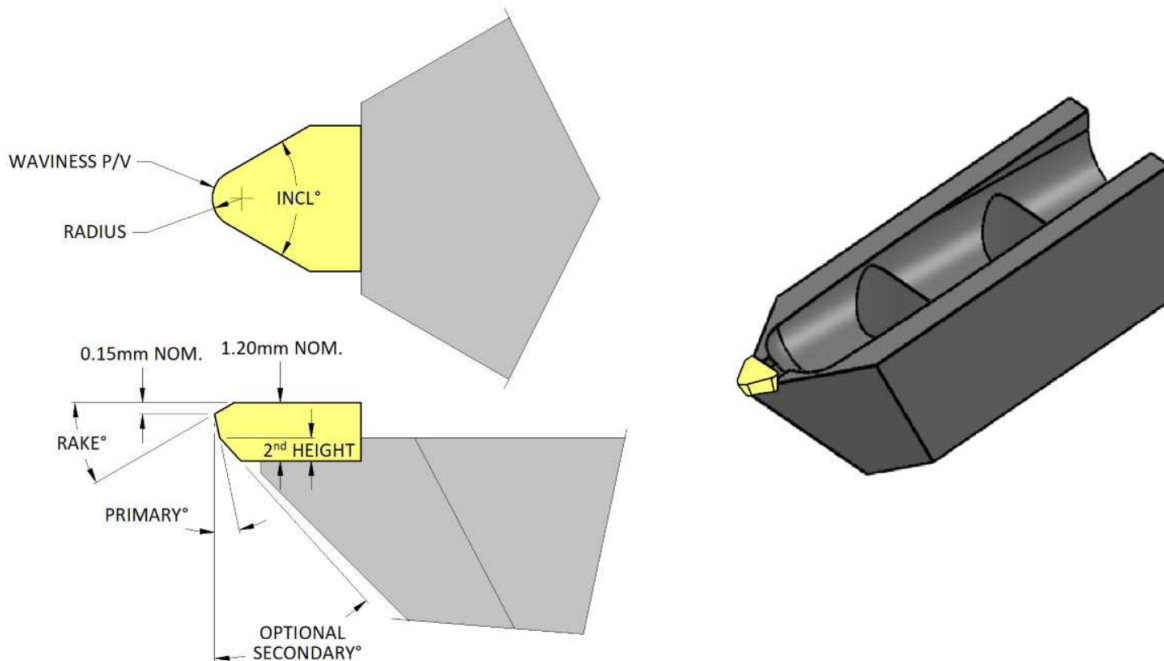




OPTIMUS_{T+1} Diamond Tool Request for Quote

The patented OPTIMUS_{T+1} Diamond Tool design utilizes an integral lens to direct the laser beam through the diamond, exiting at the cutting edge. All Diamond Tools for use with the OPTIMUS_{T+1} are purchased exclusively through Micro-LAM Inc. or certified distributor.

Name:	
Company:	
E-mail:	Phone:



Diamond tool radii can be purchased in 0.01mm increments from 0.01mm—100.00mm. Micro-LAM engineers are available to model and recommend tool configurations for any given material and/or part geometry.

Quantity	Waviness Control	Included Angle	Radius in mm	Rake Angle	Primary Clearance Angle	Secondary Clearance	Clearance Height

Note: Type in answer if "Other" is selected.

Please allow up to 2 business days for response